

Alscott Air Systems Limited.

Engineering. Production. Installation. Commissioning
Specialists in Marine and Offshore HVAC Systems



Alscott Air Systems Limited. Offers Full Turnkey HVAC Capabilities and Solutions for the Global Marine and Offshore Market

- Conceptual HVAC Systems Design
- Engineering Consulting Services
- Equipment Manufacture & Supply
- Systems Installation
- Mechanical Completion
- Testing, Adjusting & Balancing
- Commissioning
- Field Services
- Repair & Overhaul (Shop & On Site)
- Life Cycle Maintenance Support



www.alscott.ca

Alscott Air Systems Limited.

Corporate Profile

Alscott Air Systems is a Canadian Corporation with their main head quarters in Ottawa, Ontario and factory facility in Dartmouth, Nova Scotia. Alscott's history dates back to 1956 and we have completed HVAC installations in most of the Canadian built ships since that time.

Alscott specialize in the design, supply, installation and commissioning of Heating, Ventilation and Air Conditioning (HVAC) for ships, offshore and onshore oil and gas facilities and generally operates as an HVAC sub-contractor to shipbuilders, ship owners, oil companies and project managers.

Alscott also has representation and strong business activities in Houston, Texas. We have a subsidiary company, Alscott International Ltd. Which is strategically located in Freeport, Grand Bahamas, less than 50 miles from the Florida coast line and supports ship repair and overhaul from this location.

We have formed Alscott Middle East Limited is located in Suhar, Oman to support Alscott's marine and offshore business in the Middle East region particularly Dubai and Abu Dhabi in the UAE.

DM Alscott is a Joint Venture company Alscott have formed with Dan Marine Far East, and is located in Shanghai, China. This makes us strategically positioned to gain work in the growing Chinese shipbuilding market.

Alscott Quality Policy

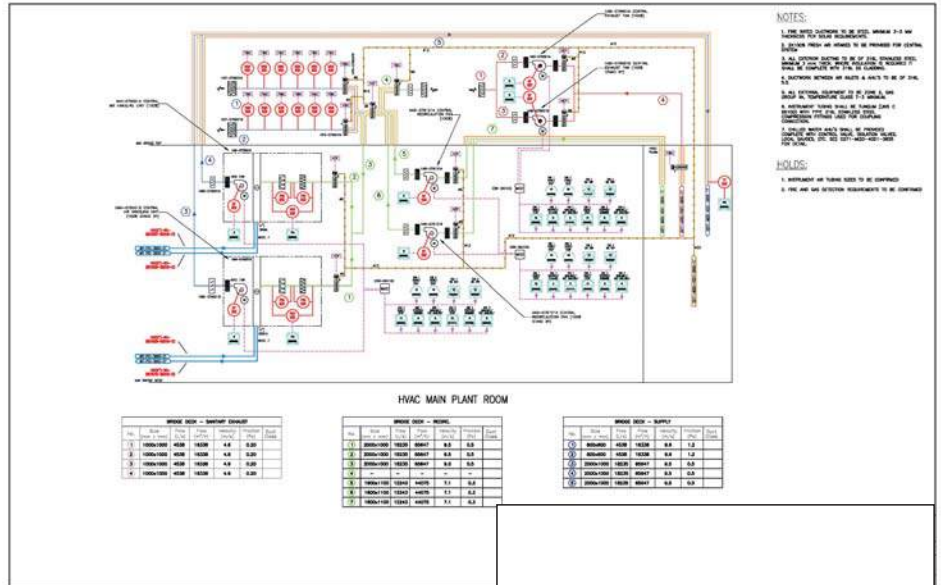
Alscott operates a quality program to ISO 9001:2000 and has quality certification which is received by external audit on an annual basis.

Our quality commitment includes on-time, on-budget delivery of products, services and support that meet or exceeds our client's requirements and expectations, and the continuous improvement of these throughout the project life cycle.



Engineering

- Load Calculations
- Pressure Loss Calculations
- D&ID's
- Arrangement Drawings
- Equipment Data Sheets
- Documentation Packages



Products

- Air Handling Units
- Condensing Units; Deck Units
- Provision Refrigeration Plants
- Packaged Air Conditioners
- Prefabricated Cold Store
- Dehumidifiers
- Steam Generators
- Explosion Proof Refrigeration Equipment
- Shock-proof Fan Coil Units
- Chillers
- Pump Skids
- Fans
- HVAC Control Systems
- Dampers
- Terminal Units
- Ductwork & Fittings
- Grilles & Diffusers



HVAC & R Products for Marine Application

Air-condition Refrigeration Plants

Technical descriptions:

Air flow: 0.2 - 8.8 m³/s

Cooling capacity: 10-418kw or customized

Refrigerant: R404A, R407C, R134a, R22 etc.

Compressor: Piston or screw type

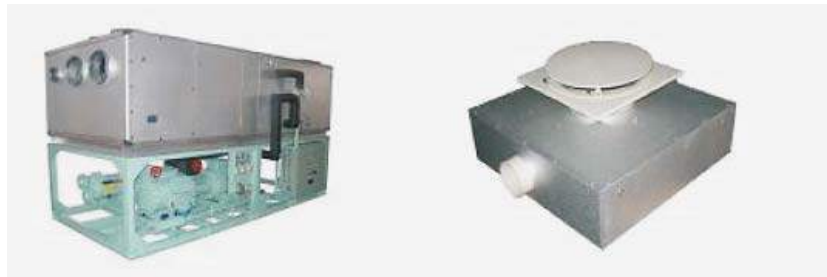
Cooling method: water or air cooled

Control type: classic or PLC control



Air Handling Unit
*Air flow: 0.2 ~ 8.8m³/s

Water-cooled Condensing Unit
*Air flow: 35~281kw



Water-cooled Deck Unit
*Cooling capacity: 35~418kw

Cabin Unit
*Air flow: 0~250m³/h



Water-cooled Packaged
Air Conditioner
*Cooling capacity : 10~35kw

Air-cooled PAC
Outdoor Unit
*Cooling capacity: 10~35kw

Air-cooled Condensing Unit
*Cooling capacity: 35~278kw

HVAC & R Products for Marine Application

Provision Refrigeration Plants

Technical descriptions:

Cooling capacity: 1.5~16.5kw or customized
Refrigerant: R404A, R407C, R134a, R22 etc.
Compressor: Piston type
Cooling method: water or air cooled
Control type: classic or PLC control



Water-cooled
Provision Refrigeration Plant
*Cooling capacity: 1.5~16.5kw

Air-cooled
Provision Refrigeration Plant
*Cooling capacity: 1.5~16.5kw



Control Box
*Classic or PLC Control

Air Cooler
*Cooling capacity: 1.5~16.5kw

Prefabricated Cold Store

Technical descriptions:

- Panels: Of bare or pre-coated stainless steel plate, plywood, or polyurethane foam.
- Doors: Of double skinned stainless steel sheet with intermediate reinforced polyurethane foam.
- Shelves: Of stainless steel, with stainless steel tray.
- Accessories: Drain holes, floor grids are standard supplies, while lightings, alarm buttons and ozone generators are optional equipments



Prefabricated Cold Store

HVAC & R Products for Offshore Applications

Room AC Unit for Hazardous Areas

Technical descriptions:

1TR to 3TR
R407C, R134a & R22 etc.
Zone 2 certification
A0 & A60 boundaries
Hermetically sealed
Low ambient control
Corrosion protection
Painted or stainless steel construction
50/60 Hz, 1 or 3 phase
Pressurization section available up to NFPA 496
Optional higher capacities
Non-hazardous areas version also available



Horizontal AC Unit for Hazardous Areas

Technical descriptions:

2TR to 15TR
R407C, R134a & R22 etc.
Zone 2 certification
A0 & A60 boundaries
Hermetically sealed
low ambient control
corrosion protection
painted or stainless steel construction
50/60 Hz, 3 phase
Pressurization section available up to NFPA 496
Optional higher capacities Non-hazardous version also available



Wall Mounted AC Unit for Hazardous Areas

Technical descriptions:

3TR to 25TR
R407C, R134a & R22 etc.
Zone 2 certification
A0 & A60 boundaries
Hermetically sealed
Low Ambient control
Corrosion protection
Painted or stainless steel construction
50/60 Hz, 3 phase
Pressurization section to NFPA 496 available
Optional higher capacities
Non-hazardous ver also available



HVAC & R Products for Offshore Applications

Custom Built HVAC Unit

Technical descriptions:

- Unlimited capacities for cooling and heating
- Dehumidification
- Humidification
- Hazardous area classification
- Pressurization
- Extreme low ambient conditions
- Harsh marine environmental protection
- Specialized control systems
- Integrated structural base frames



Offshore Portable Dehumidifier for Hazardous Areas

Technical descriptions:

- DNV 2.7-1 certified crash frame
- 316L stainless steel construction
- PLC controlled
- Single point electrical connection
- Fresh air dehumidification to 50% RH
- Low ambient controls
- Environmentally friendly R-407C refrigerent
- Lifting slings and forklift pockets for easy transportation



Naval Fan Coil Unit & Cooling Unit

Technical descriptions:

- 15g shock rating to MIL spec MIL-S-901C (Navy)
- Vibration to MIL Spec MIL-STD-167B (Ships)
- Chilled water cooling range 12kw to 20kw (FCU)
- Chilled water cooling range 2kw to 9kw (CU)
- 3 speed fan control, 115 Volt/1 phase / 60 hertz
- Optional hot water heating available
- Optional Cu/Ni coils for sea water application (FCU)
- Horizontal mounted unit shown (CU)
- Optional vertical unit available (CU)



Installations

Project Management
Site Engineering
Site Supervision
Installation Labour
Mechanical Completion



Commissioning

Pre-commissioning Procedures
Commissioning Procedures
Airflow Balancing
Fluid Flow Measurement
Functional Performance Testing
System Pressurization
HVAC Controls
Systems Integration
Trend Logging
Operation Documentation
Maintenance Documentation
Troubleshooting Services

Recent Worldwide Projects



YEAR	CLIENT	PROJECT	LOCATION
2010	Modec	BP Kaskida Engineering	Gulf of Mexico
2010	Victoria Shipyard	CU20	Canada
2010	BP/SBM	BP Mad Dog Rebuild HVAC Systems	Gulf of Mexico
2010	Modec	Pilot 2 & 3 Engineering	Brazil
2009	Fluor Transworld	Exxon Neftegas HVAC Building 01	Russia
2009	Fluor Transworld	Exxon Neftegas HVAC Building 09	Russia
2009	Fluor Transworld	Exxon Neftegas HVAC Building 12	Russia
2009	Fluor Transworld	Exxon Neftegas HVAC Building 16	Russia
2009	Fluor Transworld	Exxon Neftegas HVAC Building 34	Russia
2009	Fluor Transworld	Exxon Neftegas HVAC Building 39	Russia
2009	Fluor Transworld	Exxon Neftegas HVAC Building 46	Russia
2009	Fluor Transworld	Exxon Neftegas HVAC Building 49	Russia
2009	Fluor Transworld	Exxon Neftegas HVAC Building 58E	Russia
2009	Fluor Transworld	Exxon Neftegas HVAC Building 58W	Russia
2009	Fluor Transworld	Exxon Neftegas HVAC Building 11	Russia
2009	Pioneer Natural Resources	BP Drilling Rig HVAC Systems	Alaska
2009	South Atlantic Holdings	Perigrino Rig 1 HVAC Systems	Brazil
2009	South Atlantic Holdings	Perigrino Rig 2 HVAC Systems	Brazil
2009	Seawell	West Eminence Semi-Submersible HVAC Systems	Brazil
2009	Drillmec	Dolphin Semi-Submersible	Brazil
2009	Irving Shipbuilding	PSS Chemul Semi-Submersible HVAC Refit	Canada
2009	BP/Modec	BP Angola FPSO HVAC Systems	Brazil
2009	Perigrino	South Atlantic Holdings HVAC Refit	Brazil
2009	Sea Drill	West Eminence Semi-Submersible HVAC Systems	Brazil
2009	Petrobras/Modec	FPSO Pilot	Brazil
2008	Modec	BP Angola Angola FPSO	Singapore
2008	Exxon Mobil	Sable Gas Steam Generator Lease Agreement	Canada
2008	Irving Shipbuilding	Pemex Chemu Semi-Submersible HVAC Systems	Canada
2008	SBM	Petrobras Thunderhawk TLP HVAC Systems	Gulf of Mexico
2008	SBM	Petrobras Delba Semi-Submersible HVAC Systems	Abu Dhabi
2008	SBM	TDS 2500 Semi-Submersible HVAC Design	Houston
2008	National Oilwell Varco	BP Liberty Arctic HVAC Units	Alaska
2008	National Oilwell Varco	BP Liberty Arctic HVAC Units	Alaska
2008	National Oilwell Varco	BP Liberty Arctic HVAC Units	Alaska
2008	Grand Bahamas Shipyard	Mighty Servant HVAC Systems	Bahamas
2008	Petrobras/SBM	TDS 2000 'Lonestar' Semi-Submersible HVAC Systems	Brazil
2008	Petrobras/SBM	TDS 2000 'Odebrecht' Semi-Submersible HVAC Systems	Brazil
2008	Petrobras/SBM	TDS 2000 'Delba VI' Semi-Submersible HVAC Systems	Brazil
2008	BP/National Oilwell Varco	Arctic Condition Air Handling Units	USA
2007	SBM	Petrobras QGP Semi-Submersible HVAC Systems	Abu Dhabi
2007	SBM	Petrobras Odebrecht Semi-Submersible HVAC Systems	Abu Dhabi
2007	SBM	Petrobras Delba Semi-Submersible HVAC Systems	Abu Dhabi
2007	SBM	Thunderhawk TLP HVAC Systems	Gulf of Mexico
2007	C & M Marine	Ice Maiden	United Kingdom
2007	AGIP / NATIONAL OIL	D' Island Drilling Facility HVAC Systems	Kazakhstan
2006	Modec	FPSO P57 Design	Houston
2006	Viking Offshore USA	Viking Producer Semi-Submersible HVAC Systems	Houston
2006	Secunda Marine	Hebron Gas Field Offshore Supply Vessel HVAC Systems	Canada
2006	Modec	Tupi FPSO HVAC Design	Houston
2006	GB Shipyard	Offshore Lift Vessel HVAC Systems	Bahamas
2006	Exxon Mobil	Sakhalin Island Drilling Rig HVAC Systems	Netherlands
2006	Exxon Mobil	Orlan Platform Drilling Rig HVAC System	Russia
2005	BP	Atlantis Semi-Submersible HVAC Systems	Gulf of Mexico
2005	FMC/Sofec	Sonatrach	Algeria
2005	Hall Thermotank	Fan Coil Units	Greek Navy
2005	Daewoo	Kizomba 'B' TLP HVAC Systems	South Korea
2004	Secunda Marine	Offshore Supply Vessels HVAC Systems	Canada
2004	Pride	BP Mad Dog HVAC Systems	Gulf of Mexico
2004	Pride	BP Holstein HVAC Systems	Gulf of Mexico
2004	Chevron/KCA Deutag	BB Platform FPR Drilling Rig HVAC Systems	Angola
2004	Chevron/KCA Deutag	BB Platform FPR Drilling Rig Exp. Proof Chillers	Angola
2004	Exxon Mobil	Exxon Mobil - Kizomba 'A' HVAC Systems	Netherlands
2003	Exxon Mobil	Sable Gas Platform HVAC Systems	Canada
2003	Exxon Mobil	Sable Gas Platform Exp. Proof Steam Generator	Canada
2003	Exxon Mobil	Sable Gas Platform Exp. Proof Dehumidifier	Canada
2003	Shell	BP Nikika Semi-Submersible HVAC Systems	Gulf of Mexico
2002	Irving Shipbuilding	Naval Ships HVAC Refit	Canada
2002	Irving Shipbuilding	Icebreaker HVAC Refit	Canada
2001	Irving Shipbuilding	Cruise Ship HVAC Systems	Canada
2001	Fleetway	Merchant Ship HVAC Systems	Canada
2000	Irving Shipbuilding	LNG Tugs HVAC Systems	Canada
1999	Husky	Whitehorse HVAC Systems	Canada
1998	Petro-Canada	Terra Nova HVAC Systems	Canada
1995	Exxon Mobil	Hibernia Platform Systems	Canada
1995	Marystown Shipyard	Offshore Supply Vessels HVAC Systems	Canada
1994	Marystown Shipyard	CFAV Quest HVAC Refit	Canada



BP Global
www.bp.com



Exxon Mobil
www.exxonmobil.com



Irving
www.Irvingoil.com



Grand Bahama Shipyard
www.gbshipyard.com



Shell
www.shell.com



Pioneer
www.Pioneerinc.com



Modec
www.modec.com



Parker Drilling
www.parkerdrilling.com



Transocean
www.deepwater.com



Chevron Texaco
www.chevron.com



ABB
www.abb.com



ASRC Energy Services
www.asrcenergy.com



Kiewit
www.kiewit.com



Pride International
www.prideinternational.com



Ocean rig
www.ocean-rig.com



SBMmodco
www.sbmmodco.com



Daewoo Shipbuilding & Marine
Engineering CO., LTDI
www.dsme.co.kr



Agip KCO

AGIP KCO
www.agipkco.com



National Oilwell Vargol
www.nov.com



Hibernia
www.hibernia.ca



KCA Deutag
www.kcadeutag.com

Worldwide Locations/Representations



Alscott Air Systems Ltd.

Canada

Ottawa
1127 River Road, Ottawa, ON,
K4M 1B4
T: +1 613 825 7092
sales@alscott.ca

Halifax
120 Joseph Zatzman Drive, Dartmouth, NS
B3B 1B4
T: +1 902 468 7080
sales@alscott.ca

Alscott International

The Bahamas

Fishing Hole Road, Freeport, Grand Bahamas
T: +1 242 350 4066
mhughes@alscott.ca

DM Alscott Far East

Shanghai
#1101 Dongfang Mansion, 1500 Century Avenue, Pudong
T: +86 21 6164 2298 F: +86 21 6164 2200

Alscott Middle East

Sohar, Oman
P.O. Box 54
T: +968 993 420 23

Worldwide Representation

Canada

Vancouver
2825 SW Marine Drive, Vancouver, BC
V6N 3Y1
T: +1 604 635 1070

Greece & Cyprus

Alpha Marine Engineering Ltd (AME)
43, Slaminos Str. 16674 Glyfada
Athens, Greece
T: +30 210 894 3220 F: +30 210 968 0210
www.ame.gr

Germany

Kargerg & Schmitz GmbH
Palmaille 112
22767 Hamburg, Germany
T: +49 40 386 0040 F: +49 40 389 5097
www.karberg-schmitz.de

India

Arcum Engineering (P) Ltd.
76 Udyog Bhavan, Sonawala Rd Goregaon (E),
Mumbai, India
T: +91 22 2686 4427 F: +91 22 2686 4229
www.arcumonline.com

Norway

HVAC Engineering A/S
Hanabryggene Teknologisenter Hanaveien 4, N-4327
Sandnes Norway
T: +47 5167 1050 F: +47 5167 1051
www.hvac.as

China

Dan Marine
Dalian
#1530, Changjiang Office Building, 123 Changjiang Road
T: +86 411 8252 9442 F: +86 411 8252 9443
Tianjin
T: +86 22 2579 2522 F: +86 22 2579 2522
Guangzhou
T: +86 22 2579 2522 F: +86 22 2579 2522

Singapore

Scanjet Asia Pacific Pte. Ltd.
Blk 3018 Bedok North St. 5,
#05-07 Eastlink, Singapore 486132
T: +65 6241 7138 F: +65 6242 0632
M: +65 9670 3438
algin@scanjet.sg

United Kingdom

Peter Tweedie Consultant
T: +44 17 0234 8709 M: +44 79 2010 1227

United States of America

David Wilson Consultant
2714 Windy Thicket Lane, Houston, TX
T: +1 281 236 9173
dwilson@alscott.ca

American United Marine Corp.
35 Congress St. Suite 214
Salem, MA 01970-7312, USA
T: +1 978 741 2862 F: +1 978 741 7776
www.aumcorp.as



www.alscott.ca