

CABIN UNIT

Cabin Unit

Description

Cabin Unit is the terminal device of the air conditioning system, which are applicable for the lodging cabins, dining halls, offices, meeting rooms and so on in the vessels, which can also be used as the terminal device of the hotels, hospitals, large meeting halls, etc. Cabin unit type CUS for Single-Pipe System, type CUR for Re-Heat System and type CUT for Twin-Pipe System, are available for different application.

Basically, the cabin unit is made up of 3 parts:

- Attenuator box
Made with Al-Zinc or antimagnetic Al thin steel plates, laid inside with fire proof and damp proof rock wool as the sound absorption and insulation material
- Air flow regulating device
Provided with the primary air flow limit and the secondary air flow adjustment. The former can balance the air flow of all cabin units, while the secondary air flow adjustment knob is used for the manual adjustment of the air flow

- Diffuser
The diffuser of the pan type cabin unit is pressed to form with steel. The diffuser of ball type cabin unit is made with stainless steel and polished outside, set with the adjustment knob to adjust the air flow and air direction conveniently.

Features

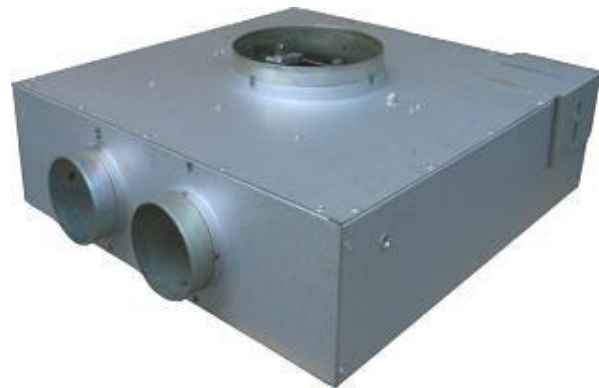
- Compact structure and easily installation on the ceiling
- The diffuser is either in the pan type or the ball type
- Single pipe and twin pipe air inlet for the cabin unit are available
- Auxiliary electric heating devices can also be added to the above types of cabin units.

Materials

- Attenuator box: Al-Zinc steel
- Diffuser of pan type: Steel
- Diffuser of ball type: stainless steel



Cabin Unit type CUS, CUR

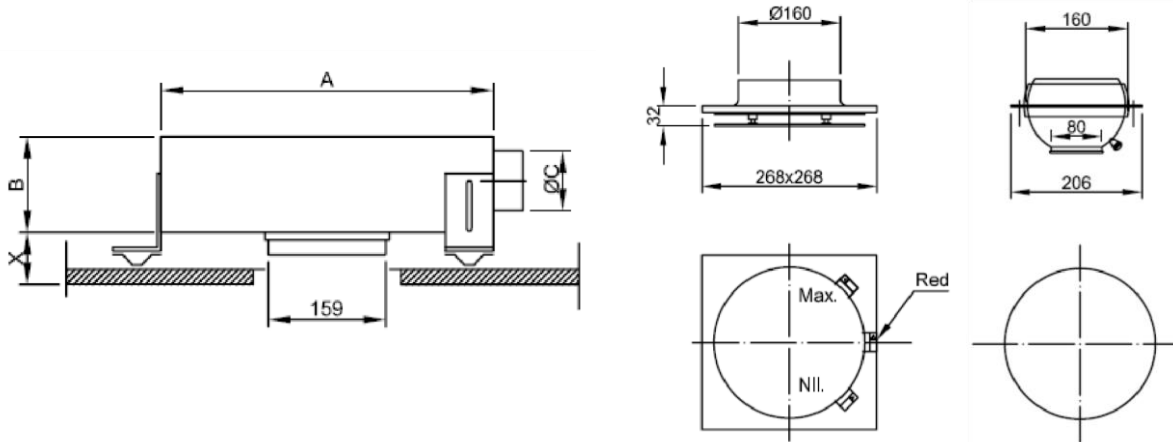


Cabin Unit type CUT

CABIN UNIT

Technical data

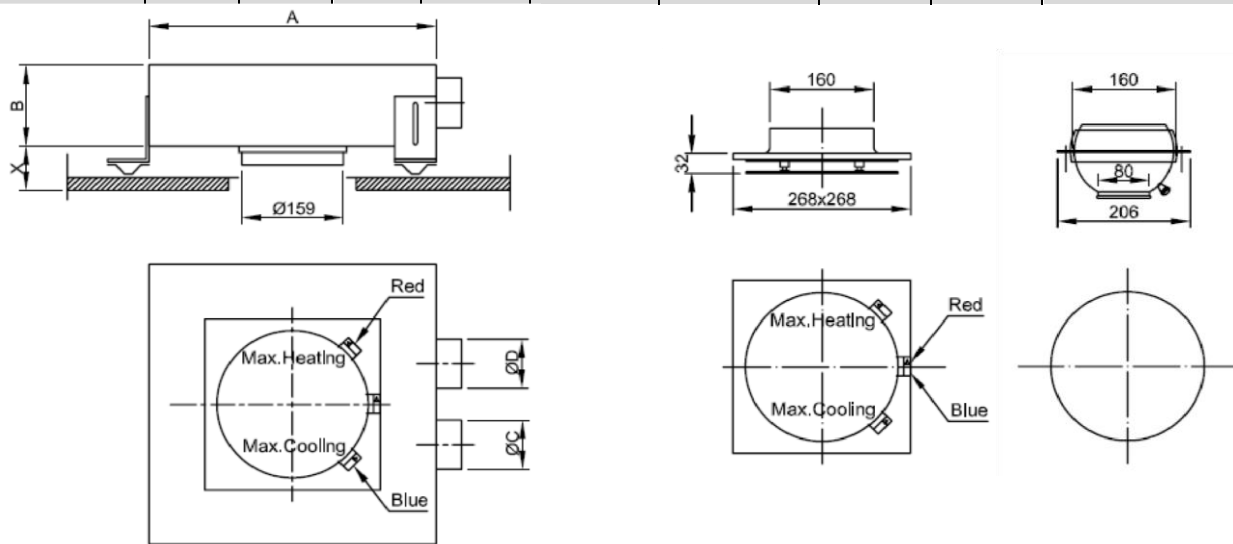
Dimension sketch CUS, CUR



Diffuser C

Diffuser N

Type Cabin unit / Diffuser	A (mm)	B (mm)	C (mm)	X (mm)	Air flow (m ³ /h)	Electric heating (W)	Weight (Kg)	Power Voltage	Item no. Cabin unit / Diffuser
CUS-25 / C	450	135	80	55-70	0-250	0	10.0	N/A	ZZ7000 / ZZ7006
CUS-25 / N	450	135	80	80-95	0-250	0	10.0	N/A	ZZ7016 / ZZ7007
CUS-35 / C	600	175	100	55-70	0-350	0	12.5	N/A	ZZ7001 / ZZ7006
CUS-35 / N	600	175	100	80-95	0-350	0	12.5	N/A	ZZ7017 / ZZ7007
CUR-25 / C	552	135	80	55-70	0-250	400,800,1200	12.0	1x220V	ZZ7004 / ZZ7006
CUR-35 / C	690	175	100	55-70	0-350	400,800,1200	16.0	1x220V	ZZ7005 / ZZ7006



Diffuser C

Diffuser N

Dimension sketch CUT

Type Cabin unit / Diffuser	A (mm)	B (mm)	C (mm)	D (mm)	X (mm)	Air flow (m ³ /h)	Weight (Kg)	Item no. Cabin unit / Diffuser
CUT-25 / C	450	135	80	80	55-70	0-250	10.0	ZZ7002 / ZZ7006
CUT-35 / C	600	175	100	80	55-70	0-350	12.5	ZZ7003 / ZZ7006

CABIN UNIT

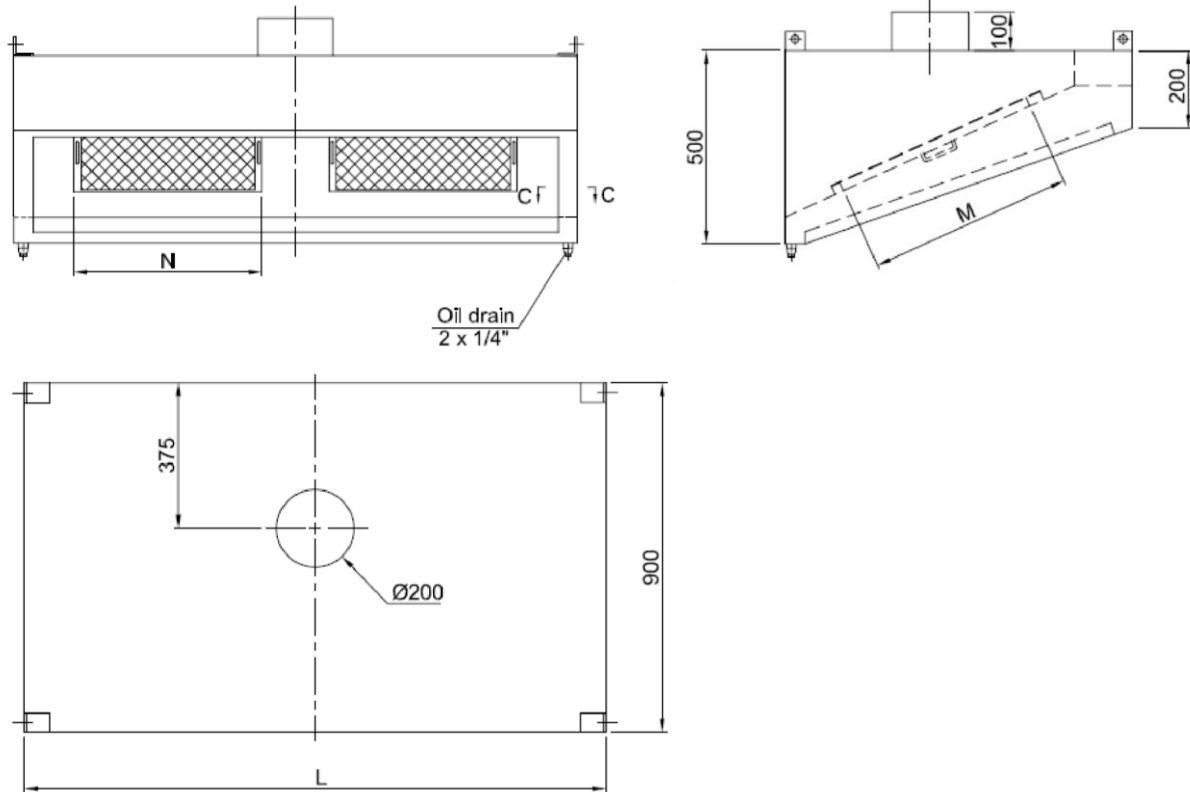
Galley Canopy

Description

The galley canopy type GCK, mounted above the hearth, is used to remove large volume of air with smoke or steam in the galley. The filters of canopy can separate oil and gas, and the oil collected can be drained away through drain hole on canopy.

Features

- The case is made of stainless steel.
- The filter is made of meshwork of stainless steel, and can be remove for washing easily.
- The light is as optional accessories on request.
- Other design is available on request.



Principal dimensions

Size (L)	Filter (M)	Filter (N)	Num. of filter
1800	530	500	2
1500	530	500	2
1200	530	400	2
1000	530	300	2